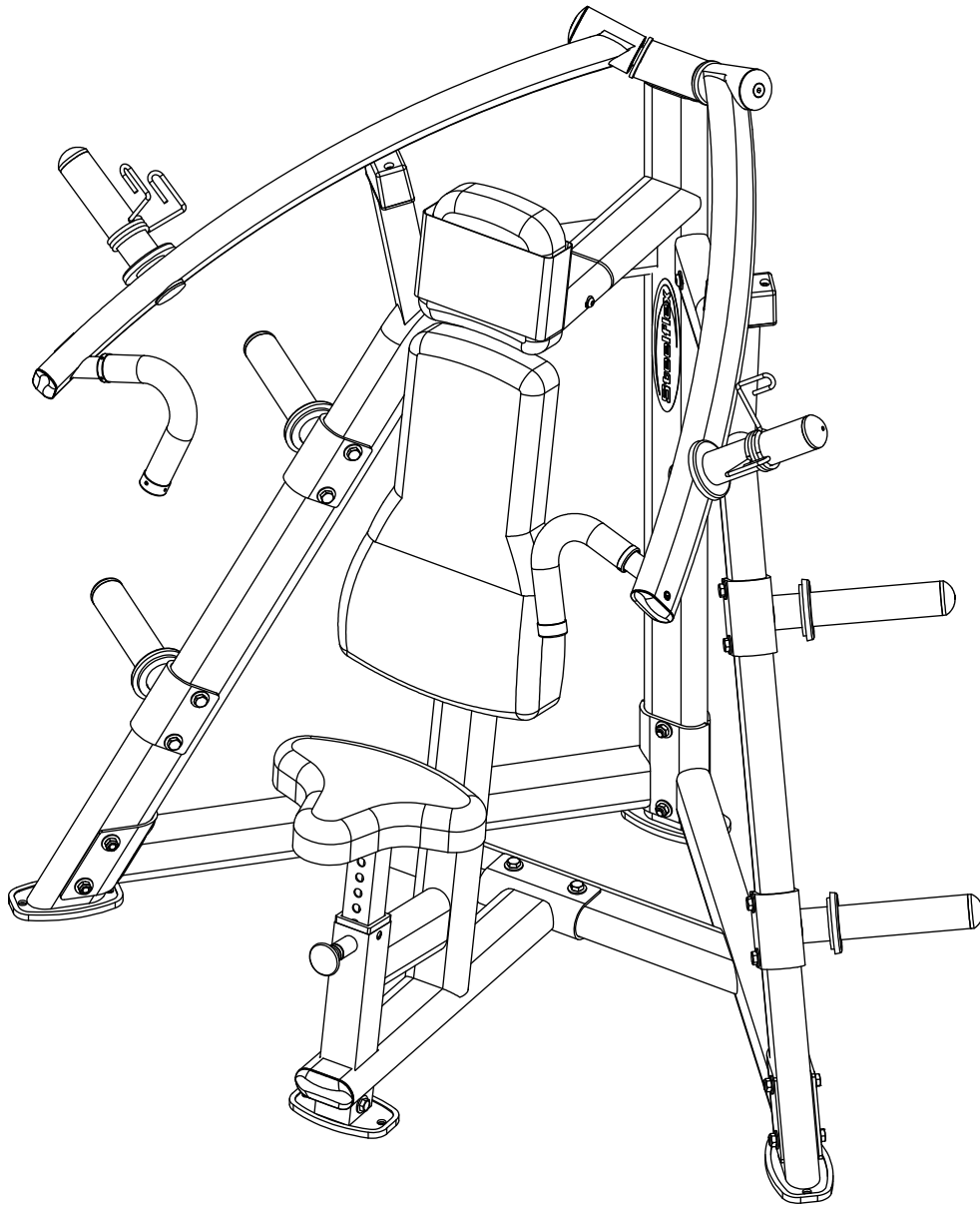


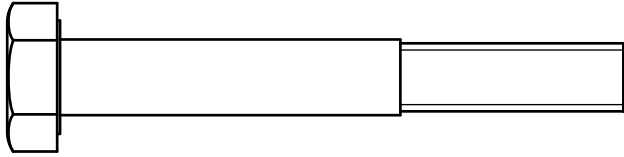
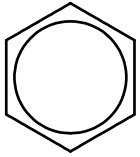
PLSP.6



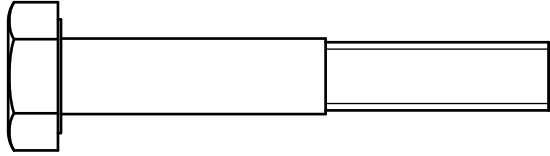
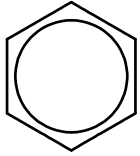
Assembly & Instructions
OWNER'S & MANUAL

PLSP.6 HARDWARE

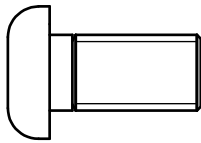
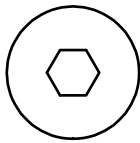
(shown in actual size)



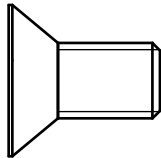
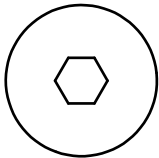
A1. M10x75 HEX HEAD SCREW ...9PCS (Pre-installed...1PCS)



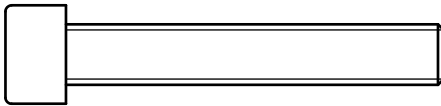
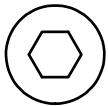
A2. M10x65 HEX HEAD SCREW...9PCS



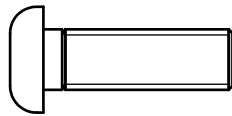
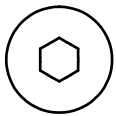
A3. M10x20 ALLEN SCREW(FULL THREAD)...4PCS



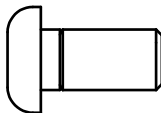
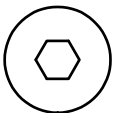
A4. M10x20 TAPER SCREW(FULL THREAD)...2PCS



A5. M8x50 SOCKET SCREW(FULL THREAD)...4PCS



A6. M8x25 ALLEN SCREW(FULL THREAD)...9PCS



A7. M8x16 ALLEN SCREW(FULL THREAD)...4PCS

mm

0 10 20 30 40 50 60 70 80 90 100 110 120 130 140 150

inch

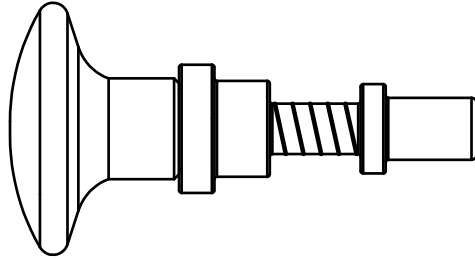
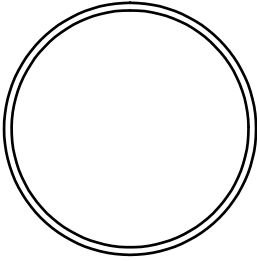
0 1" 2" 3" 4" 5" 6"

PLSP.6 HARDWARE

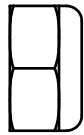
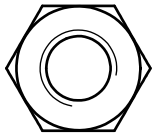
(shown in actual size)



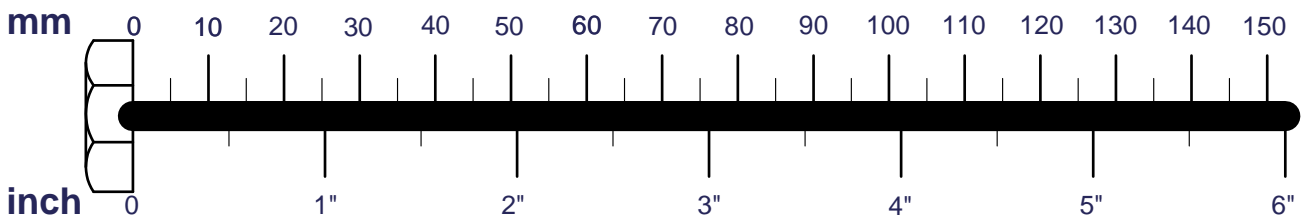
A8. M5x5 GRUB SCREW...8PCS (Pre-installed)



A9. 1/2"x92.5L POP PIN (8250-065G)...1PCS (Pre-installed)

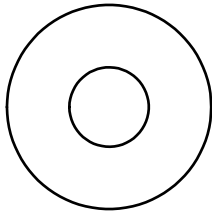


B1. M10 NYLON LOCK NUT...10PCS (Pre-installed...1PCS)

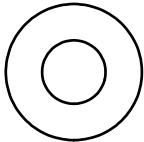


PLSP.6 HARDWARE

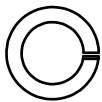
(shown in actual size)



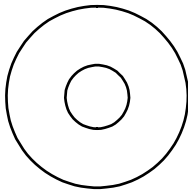
C2. M10 WASHER($\varnothing 27$)...30PCS(Pre-installed 2PCS)



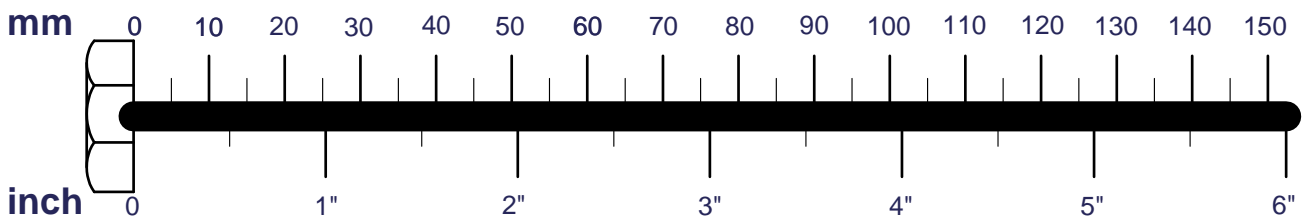
C3. M8 CURVED WASHER...2PCS



C4. M8 SPRING WASHER...9PCS

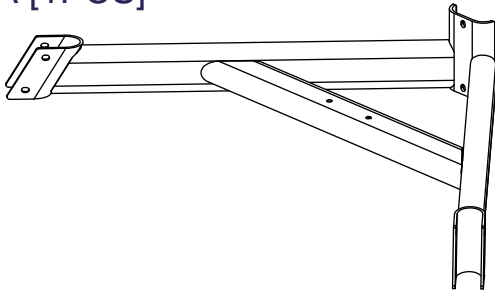


C5. M8 WASHER...11PCS

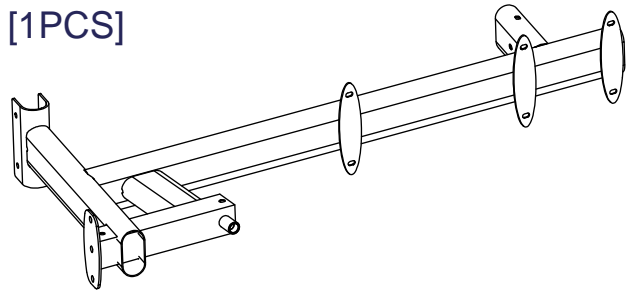


PLSP.6 PARTS

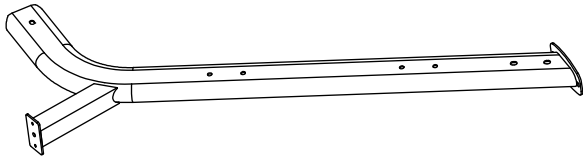
A [1PCS]



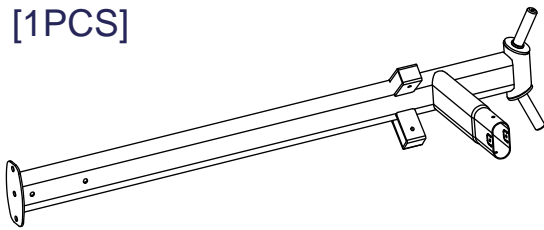
B [1PCS]



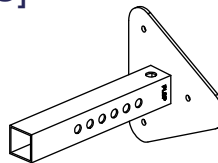
C [2PCS]



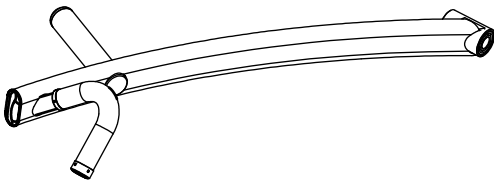
E [1PCS]



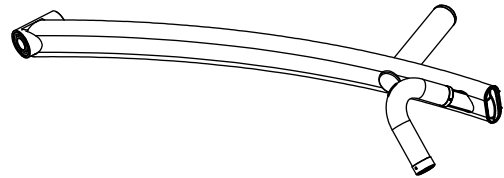
Q [1PCS]



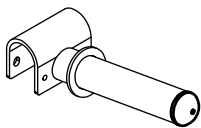
H [1PCS]



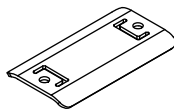
I [1PCS]



F [4PCS]
6730001



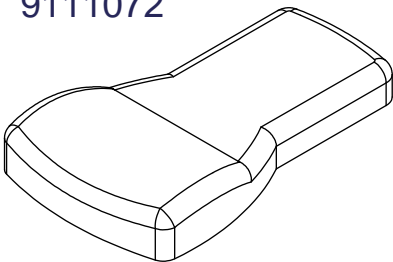
G [1PCS]
8323234



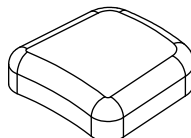
M [1PCS]
8830023
(pre-installed)



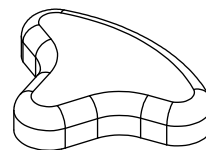
J [1PCS]
9111072



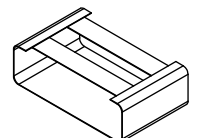
K [1PCS]
9131025



L [1PCS]
9144016



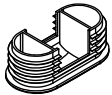
R [1PCS]
9119010
(pre-installed)



PLSP.6 PARTS

D1. 40x80 End Cap (9211-192)pre-installed....	[2PCS]
D2. Ø50 End Cap (9211-020)	[2PCS]
D4. End Closure (8130-248)	[2PCS]
D5. Rubber Dount (9310-016)	[6PCS]
D6. Pinch Cock (OC-06)	[2PCS]
D7. Block Rubber (9310-077)	[2PCS]
D8. 50x100 END CAP (9211-193)	[2PCS](1PCS pre-installed)
D9. Rubber Insert (9310-076)	[4PCS]
D11. Nylon Bushing (9211-047)	[1PCS]
D13. Impregnated With Handle (9162-149) pre-installed	[2PCS]
D14. End Closure (8890-048) pre-installed	[2PCS]
D15. Bearing (8510-037) pre-installed	[4PCS]
D16. Pulley spacer (8530-009).....	[2PCS]
D17. End Closure (8130-287)pre-installed.....	[2PCS]

D1



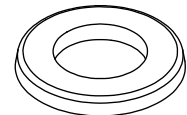
D2



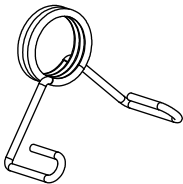
D4



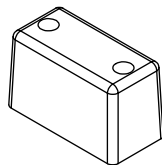
D5



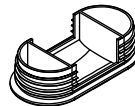
D6



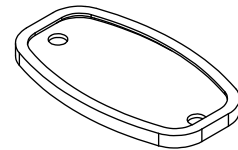
D7



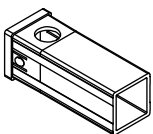
D8



D9



D11



D13



D14



D15

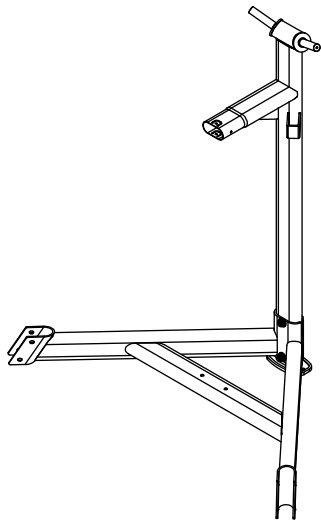


D16

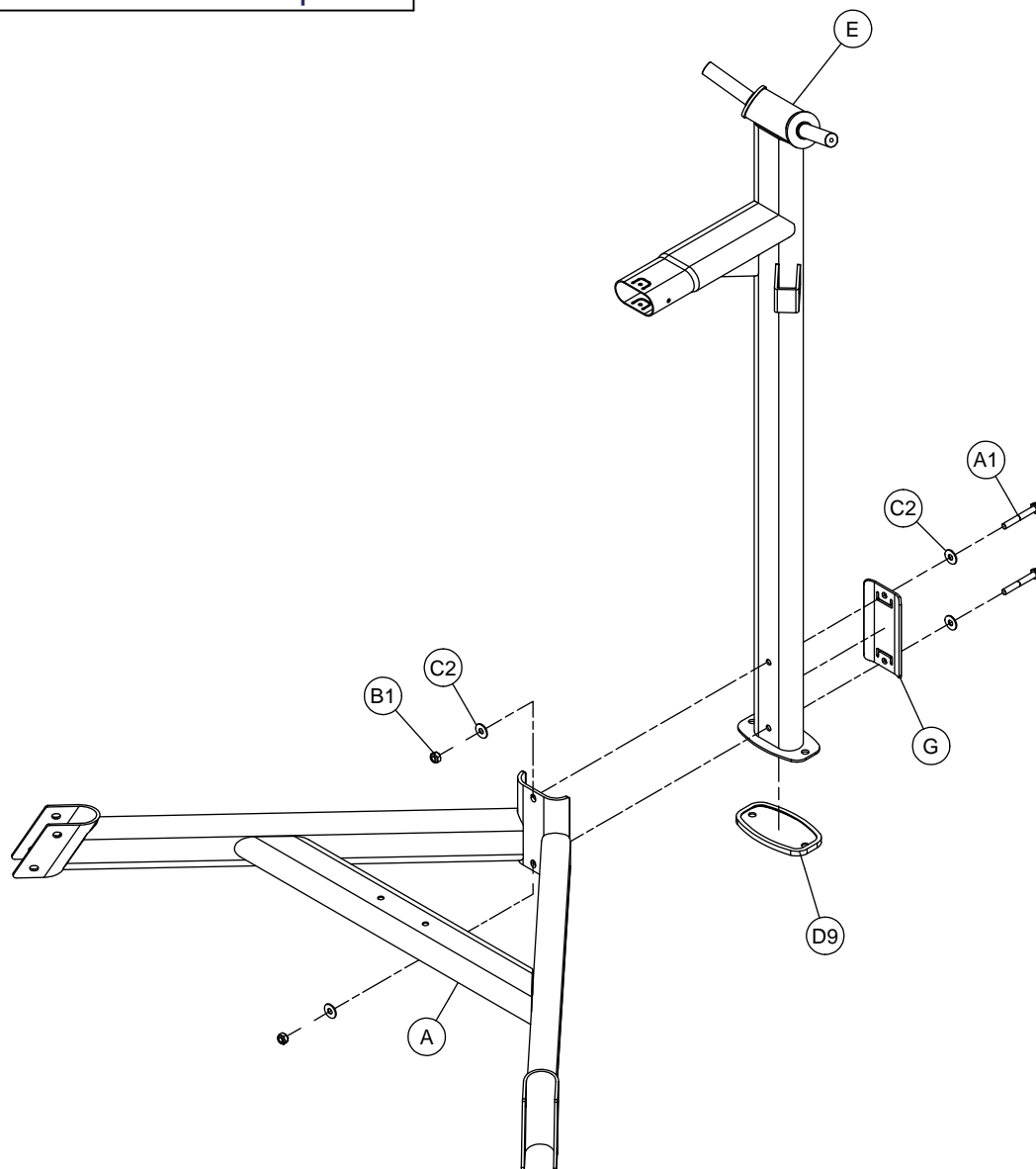


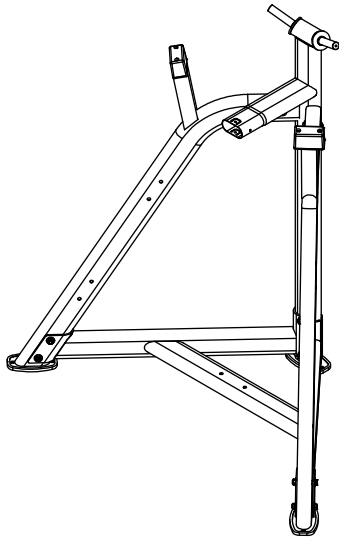
D17



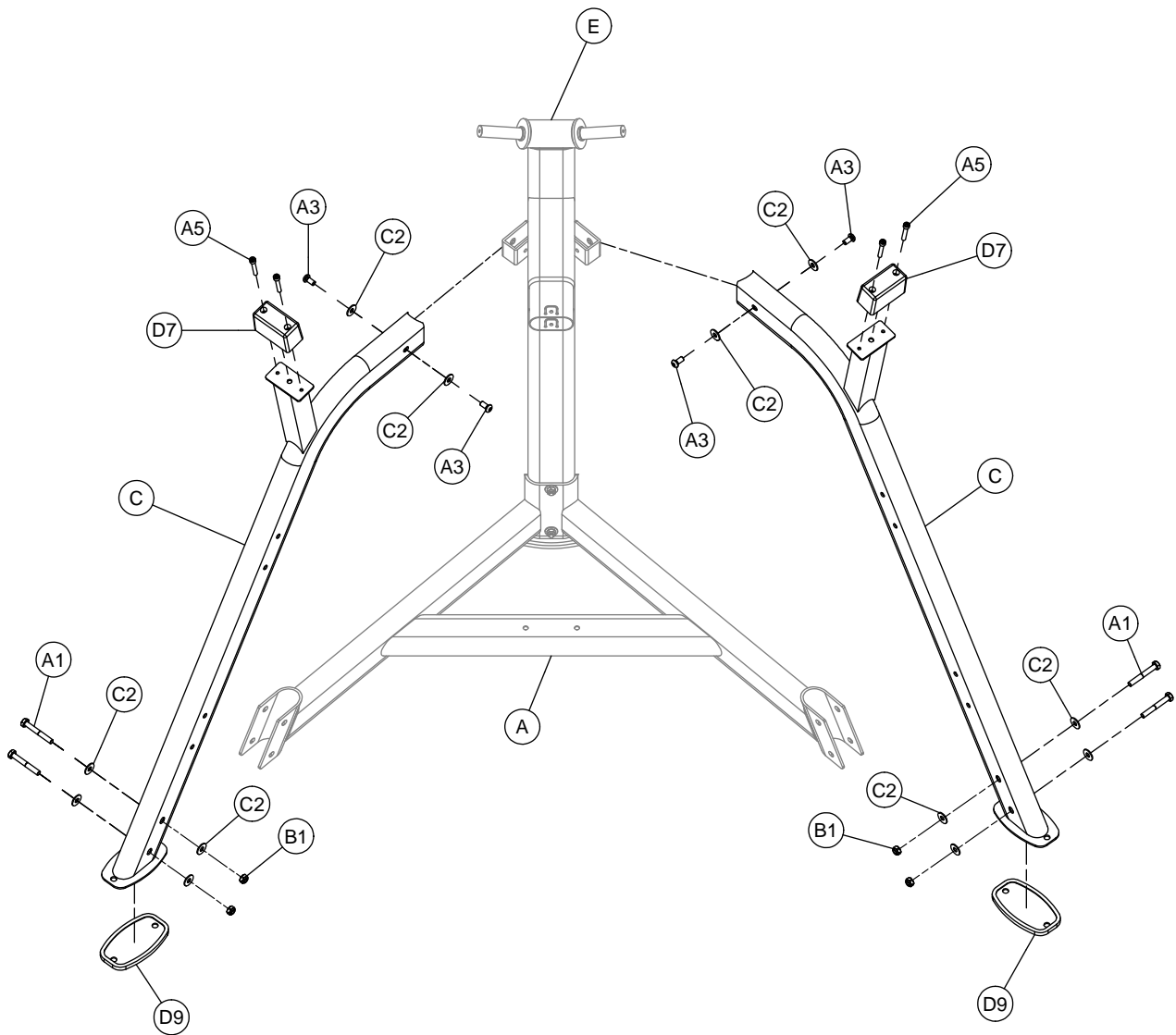


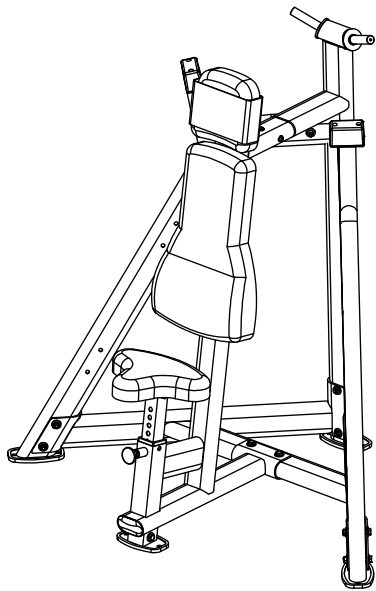
Above shows STEP 1 assembled and completed



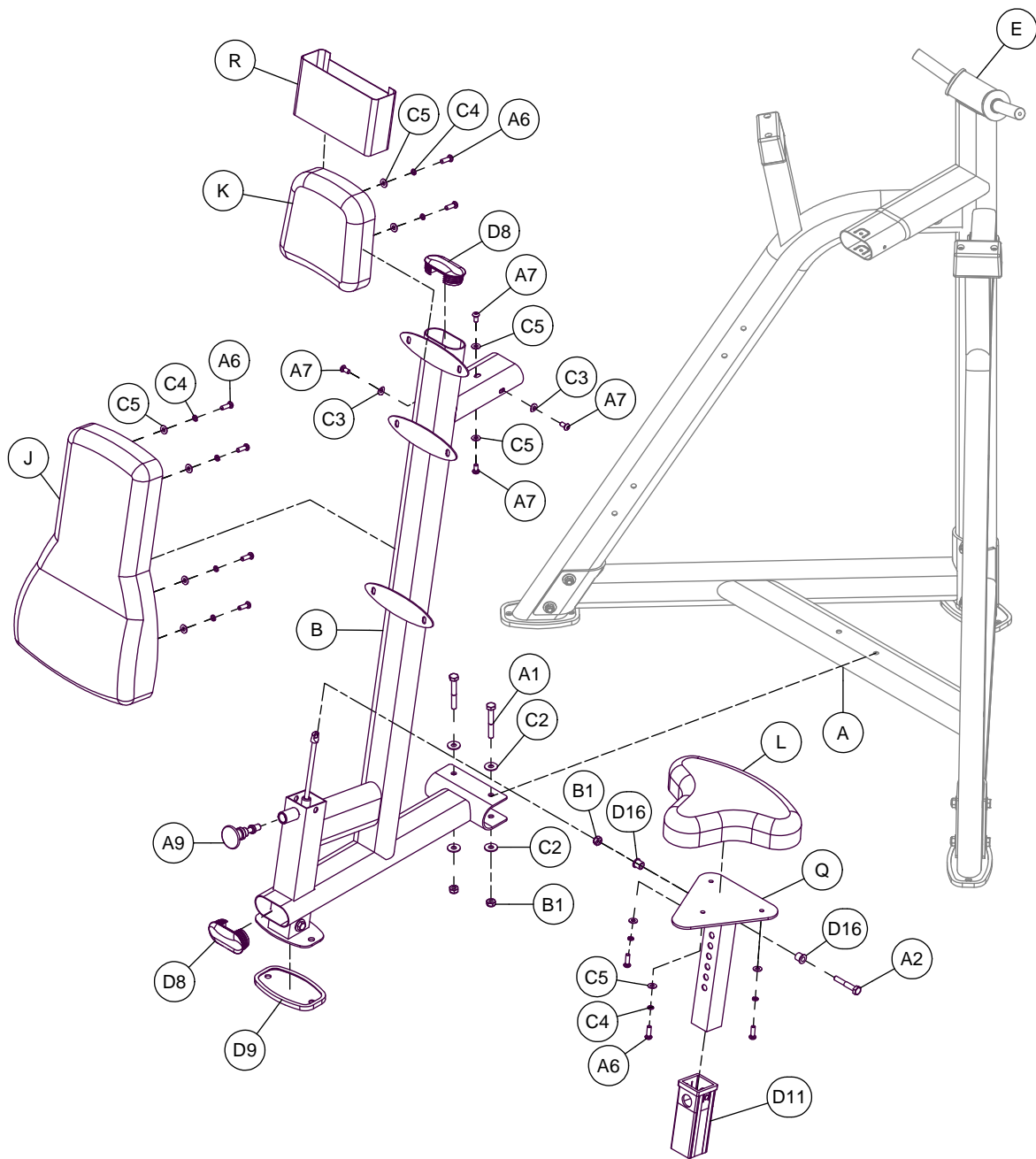


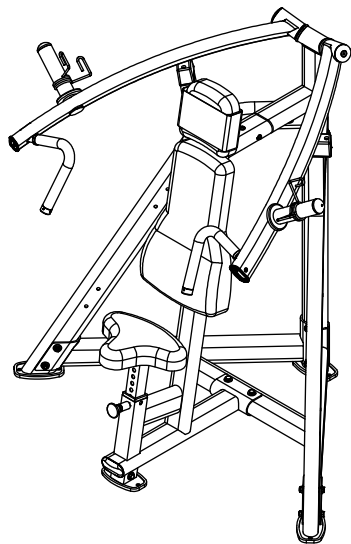
Above shows STEP 2 assembled and completed



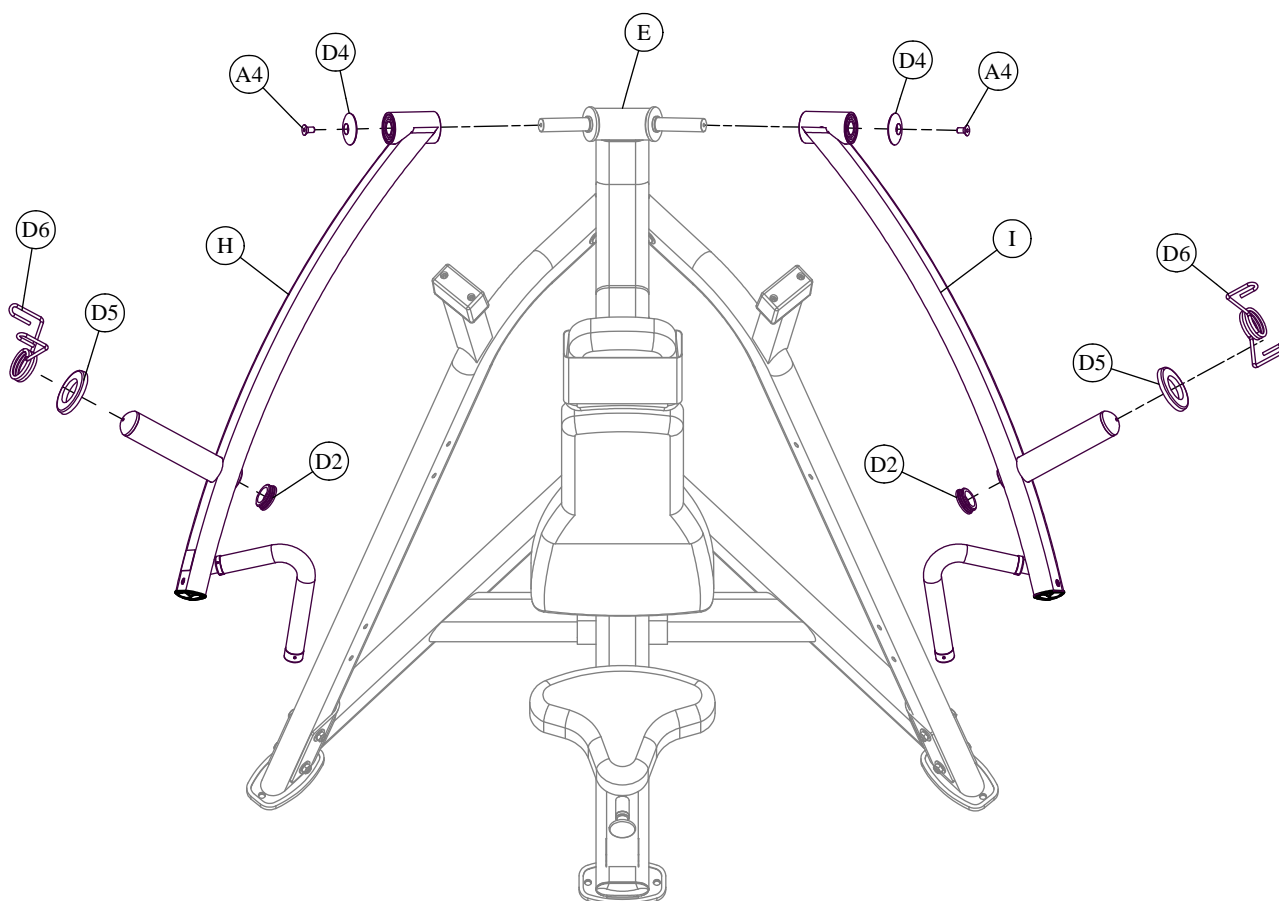


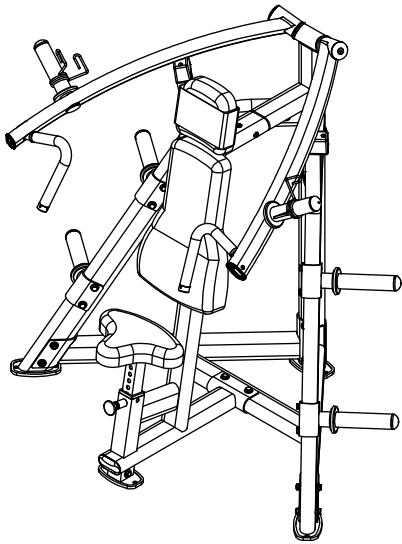
Above shows STEP 3 assembled and completed



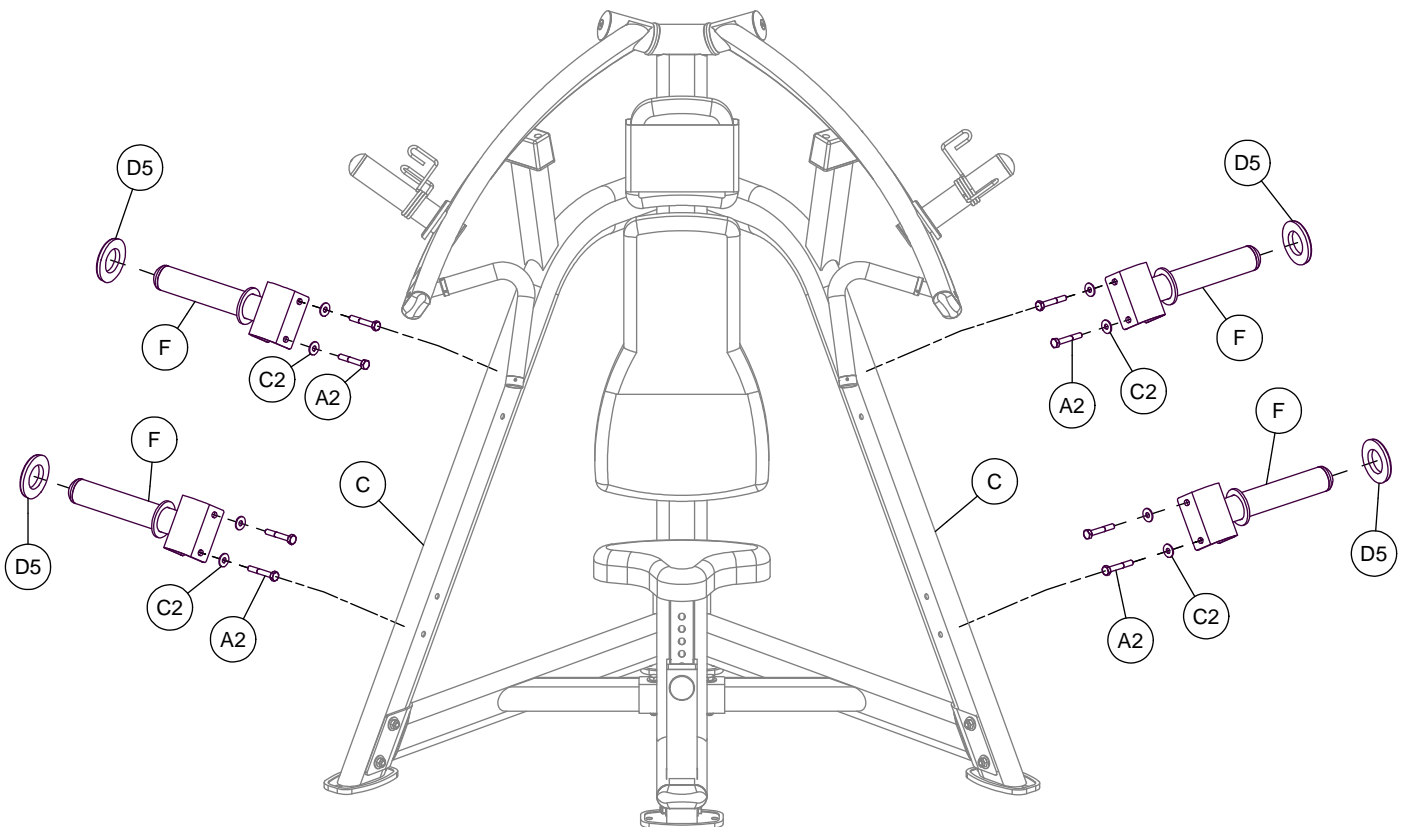


Above shows STEP 4 assembled and completed

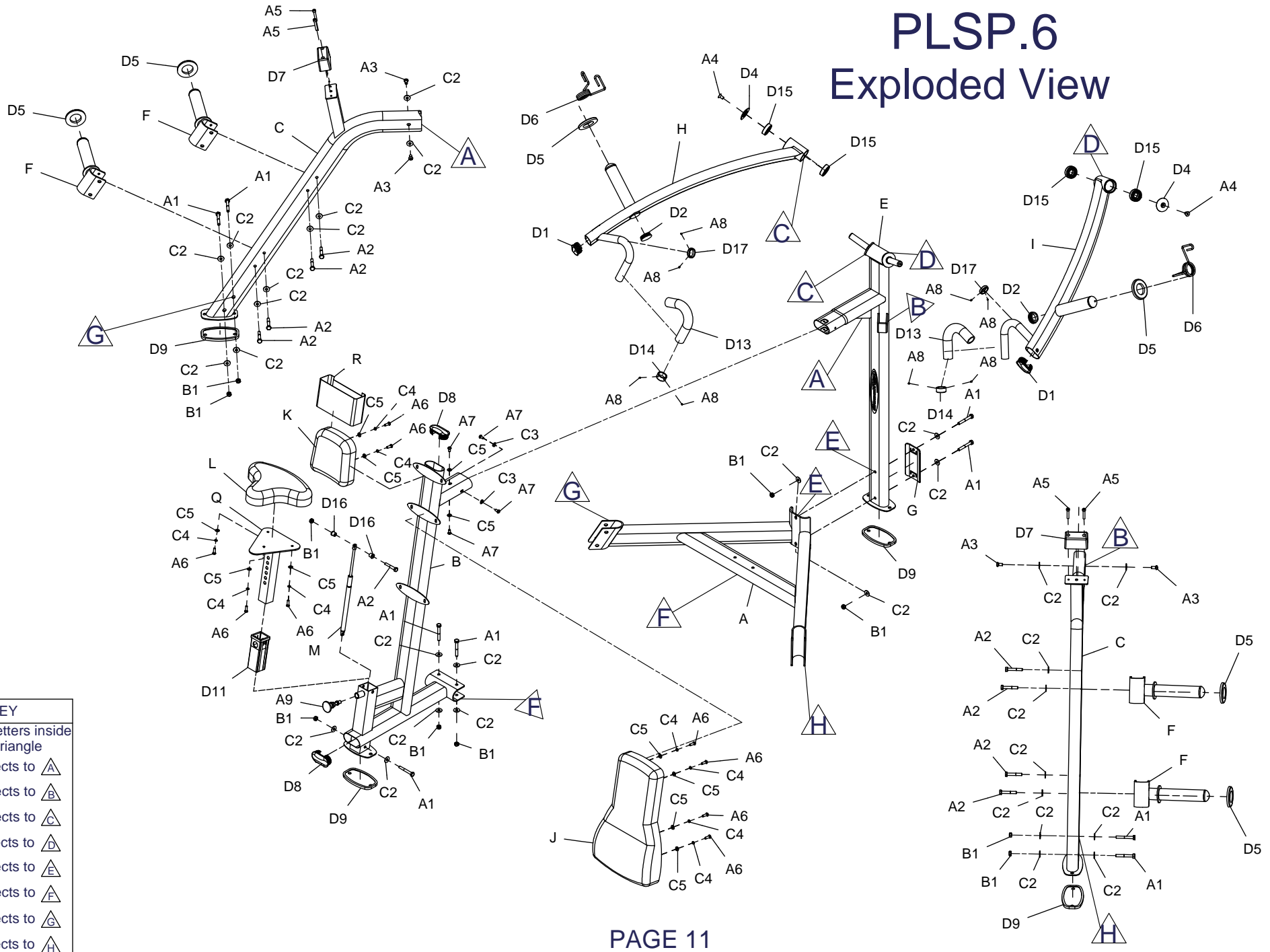




Above shows STEP 5 assembled and completed



PLSP.6 Exploded View



- △ KEY**
Match the letters inside each triangle
- △ A connects to △ A
 - △ B connects to △ B
 - △ C connects to △ C
 - △ D connects to △ D
 - △ E connects to △ E
 - △ F connects to △ F
 - △ G connects to △ G
 - △ H connects to △ H